

UC-MX70-T

Crestron Flex Advanced Tabletop Large Room Video Conference System for Microsoft Teams® Rooms



- *Tabletop video conferencing solution for the Microsoft Teams® Rooms environment*
- *Present, call, conference, and collaborate using your own device's UC conference platform (BYOD) or the native Microsoft Teams Rooms platform*
- *Native Microsoft Teams Rooms touch screen UI provides a consistent user experience with simple operation and one-touch meeting joins*
- *Complete kit contains the Crestron Flex tabletop conference device, UC Bracket Assembly, AVer® CAM520 PRO enterprise-grade camera, mic pod, cables, and power supply — just add display(s) and mount*
- *Direct connection option between UC Engine and Crestron Flex tabletop conference device for simple installation and configuration*
- *Easy to specify and install — no custom design, programming, or software installation required*
- *Network management and provisioning, system alerts, and the pairing of a Crestron Flex tabletop conference device to the UC-MX70-T system's UC Engine through the XiO Cloud® service*
- *Enterprise-grade security - connects and communicates securely over any enterprise or SMB network*

The UC-MX70-T system provides a complete video conference room solution for use with the Microsoft Teams Rooms intelligent communications platform. It supports single or dual video displays¹, and features the Crestron Flex tabletop conference device (CCS-UC-1-X), UC Bracket Assembly with UC-ENGINE (UC-BRKT-250-P-T-ASSY), AVer® CAM520 PRO enterprise-grade camera (UC-CAM-HD-520), mic pod (CCS-UCA-MIC), cables, and power supply.

Native Microsoft Teams® Rooms Experience

The UC-MX70-T system brings the full Microsoft Teams Rooms UC experience to any meeting space in an enterprise or SMB facility, whether implementing a cloud based Microsoft Teams Rooms deployment, on-premises Skype® for Business software, or a hybrid of the two.

Intuitive User Interface with Impressive Audio

The Crestron Flex Tabletop Conference device (CCS-UC-1-X) provides a superior conferencing and collaboration experience with its large 7 in. HD display, integrated 360° quad microphone array, and an AEC-enabled USB speakerphone that supports full-duplex wideband audio performance.

Simplified Deployment

The UC Bracket Assembly (UC-BRKT-250-P-T-ASSY) provides preassembled components on one ready-to-mount bracket to simplify installation. The assembly can be mounted on a wall, or it can be attached to the rear of the display device. Crestron's direct connection method further simplifies installation with a single connection from the Flex tabletop conference device to the UC Bracket Assembly.²

High-Definition Video Conferencing

The included AVer CAM520 PRO enterprise-grade camera (UC-CAM-HD-520) features a wide-angle 82° diagonal field of view to capture an entire conference room in Full HD 1080p video resolution. High precision aspherical optics, super low light 2M pixel sensor, and advanced video processing ensure a clear video image free from light or noise artifacts.

Crestron Control System Integration

The Crestron Flex tabletop conferencing device can integrate with a Crestron control system to enable touch screen control of room lighting, motorized window shades, climate control, AV, and other amenities.

Bring Your Own Device (BYOD)

Conference room visitors can connect their laptop computer to the Crestron Flex system to use their own UC conference platform. The UC-MX70-T's built-in content ingest device switches to the connected laptop's UC platform and returns to the native Microsoft Teams Rooms platform when disconnected.

UC-MX70-T

Crestron Flex Advanced Tabletop Large Room Video Conference System for Microsoft Teams® Rooms

Enterprise-Grade Security

Crestron Flex is an enterprise-grade solution, engineered in partnership with Microsoft® to integrate seamlessly into any Microsoft Teams Rooms or Skype for Business software deployment. Crestron Flex is ideally equipped for mass deployment throughout any sized corporate, university, medical, military, or government facility. Its advanced security features ensure privacy, reliability, and compliance with your organization's IT policies.

Easy Provisioning and Device Management

The XiO Cloud service³ is an IoT cloud-based provisioning service that enables installers and IT managers to easily deploy and manage thousands of devices. The XiO Cloud service allows for system alerts, network management and provisioning, and the pairing of a control device to the system's UC Engine. System updates are controlled by Windows® software update.

Visit www.crestron.com/xiocloud for additional information.

Dual Control Option

A TS- series, TSS- series, or TSW- series⁴ 7 in. or 10.1 in. touch screen may be added to the UC-MX70-T kit as an additional control point for the Microsoft Teams Rooms environment.²

Deployment Resources

View the [Crestron Flex Pre-Deployment Checklist](#) to help plan your Crestron Flex installation.

Specifications

Included Components

UC-BRKT-250-P-T-ASSY	UC Bracket Assembly for Microsoft Teams Rooms systems, comprised of: <ul style="list-style-type: none">• UC-ENGINE-P-T: UC Engine for Microsoft Teams Rooms systems;• ADPT-USB-ENET: USB-to-Ethernet Adapter• HD-CONV-USB-250: HDMI® to USB 3.0 converter for content ingest;• Mounting Hardware
CCS-UC-1-X	Crestron Flex tabletop conferencing device; <ul style="list-style-type: none">• PW-2420RU Universal power supply and power cord• Cable, CAT5e, RJ-45-to-RJ-45, 12 ft (3.66 m);• Cable management hardware
CCS-UCA-MIC	Extension microphone pod

UC-CAM-HD-520

AVer® CAM520 PRO enterprise-grade camera

[CBL-CAT5E-7](#)

Ethernet LAN cable, CAT5e, RJ-45-to-RJ-45, black, 7 ft (2.1 m)

[CBL-HD-THIN-HS-6](#)

Thin HDMI cable for connecting display device, Type A male-to-male, 6 ft (1.8 m)

[CBL-USB-A-BMICRO-6](#)

USB 2.0 A - Micro-B cable, 6 ft (1.8 m)

[CBL-HD-6](#)

HDMI Interface Cable, 6 ft (1.8 m)

[CBL-4K-DP-HD-6](#)

Active Converter Cable, DisplayPort™ to HDMI®, 18 Gbps, 6 ft (1.8 m)

[DM-CBL-ULTRA-PC-20](#)

(2) Ethernet LAN cable for touch screen, CAT6a, RJ-45-to-RJ-45, blue, 20 ft (6 m)

[PW-2420RU](#)

Universal power supply and power cord

EDID passthrough

(2) HDMI Female-to-Male

Crestron Flex tabletop conferencing device

Touch Screen

7 in. (178 mm) diagonal capacitive multi-touch TFT active matrix color LCD, 1280 x 800 pixels

UI

Microsoft Teams Rooms UI plus optional Crestron room control UI⁵

Mic Mute Symbol & Light Bar

(2) Capacitive buttons with bi-color LEDs, either button toggles between mute and unmute

AEC

Limes Audio TrueVoice® acoustic echo cancellation, automatic mic mixing, automatic gain control, and dynamic noise reduction; full-duplex IEEE 1329 Type 1 compliant

Speaker

Full range speaker, 11 W amplifier power, 95 dB SPL at 0.5 m maximum output, 90 Hz to 22 kHz frequency response

Microphones

360° quad mic array, 20 ft (6 m) typical pickup range

Extension Microphones

Supports two mic pods, model CCS-UCA-MIC KIT (sold separately)

Occupancy Sensor

6 ft (1.83 m) PIR range in front of touch screen

UC-MX70-T

Crestron Flex Advanced Tabletop Large Room Video Conference System for Microsoft Teams® Rooms

Ethernet	100 Mbps; enterprise grade security and management including IEEE 802.1X, Active Directory® authentication, LDAP, Kerberos, SSL, TLS, SSH, SFTP (SSH File Transfer Protocol), SRTP, digest access authentication, password login, HTTPS secure provisioning, XiO Cloud service
USB	USB 2.0 micro Type B device port, supports UAC for audio interface to UC Engine (model UC-ENGINE-P) (cable included)
Power	24 VDC via external 100-240 VAC, 50/60 Hz power pack, model PW-2420RU (included)
Dimensions	Height: 4.11 in. (105 mm) Width: 8.92 in. (227 mm) Depth: 12.74 in. (324 mm)
Weight	5.50 lb (2.5 kg)

NOTE: The CCS-UC-1-X cannot be powered by Power over Ethernet or PoE+.

Microphone Pod

Model	CCS-UCA-MIC
Communications	A2B bus protocol, slave, synchronous data, multichannel I2S/TDM to I2S/TDM
Microphone	Triple mic array with (3) cardioid electret elements
Pickup Range	20 ft (6 m) typical, 360°
Mic Mute	(1) Capacitive button with bi-color LED, toggles between mute and unmute (affects all system mics)
Connectors	(2) RJ9 4P4C connector, female
Power	Powered via the CCS-UC-1-X through the A2B bus

Camera

Model	AVer® CAM520 PRO
Wide Field of View	82°
Connectivity	USB Type-C® connector
Power	12 VDC power adapter
Resolution/FPS	HD 1080p @ 30 fps
Dimensions	Height: 7.17 in. (182 mm) Width: 6.02 in. (153 mm) Depth: 5.63 in. (143 mm)

UC Bracket Assembly

Mini PC	Intel Core® processor with Windows® 10 IOT Edition OS, 4K UHD Graphics, and 100/1000 Mbps Ethernet connectivity
UC Client	Microsoft Teams Rooms or Skype for Business Software
Management Client	XiO Cloud service
Content Ingest	HDMI input via HDMI to USB 3.0 converter (model HD-CONV-USB-250)
Display Output	Single or dual display support
Display Output Resolution	1080p
Power	90 W via external 100-240 VAC, 50/60 Hz adapter (included)
Construction	Metal mounting bracket, black, preassembled with UC Engine (model UC-ENGINE-P-T) and USB to HDMI converter (model HD-CONV-USB-250)
Mounting	Surface wall mount behind the display device, or attach to the rear of the display device via the bolts attaching the display to a VESA® compliant display mount; the bracket includes mounting holes on both side edges, spaced 100, 200, and 300 mm vertically, to allow for attachment to either side of the display mounting plate
Dimensions	Height: 16.50 in. (419 mm) Width: 15.00 in. (381 mm) Depth: 1.27 in. (32 mm)

Model

UC-MX70-T

Available Accessories

CCS-UCA-SMK	Swivel Mount Kit
CCS-UCA-MIC KIT	Microphone Pods, set of 2
SW-FUSION-C-3	Crestron Fusion® Cloud; 250 rooms; 3-year service, support, and updates

UC-MX70-T

Crestron Flex Advanced Tabletop Large Room Video Conference System for Microsoft Teams® Rooms

SW-FUSION-P-L

Crestron Fusion® On-premises; Unlimited rooms; lifetime service, support, and updates

SW-XIOC-EM

XiO Cloud® Provisioning and Management Service, Endpoint Management License

SW-XIOC-S

XiO Cloud® Provisioning and Management Service, Support License

SW-XIOC-API

XiO Cloud® Provisioning and Management Service, REST API License

Notes:

1. Display must support "Wake on Sync" and "Sleep on No Sync" functionality. Consult the display manufacturer's specifications or internal settings of the specific display.
2. Only one control device may be connected via direct connection method.
3. The XiO Cloud service is a room based subscription service available separately.
4. Select a TS- series or TSW- series touch screen for custom UI support.
5. Room control capability (lighting, shades, thermostats, etc.) requires additional equipment and commissioning to be provided by a Crestron authorized integrator and/or programmer. Additional costs may apply.

This product may be purchased from select authorized Crestron dealers and distributors. To find a dealer or distributor, please contact the Crestron sales representative for your area. A list of sales representatives is available online at www.crestron.com/How-To-Buy/Find-a-Representative or by calling 855-263-8754.

This product is covered under the Crestron standard limited warranty. Refer to www.crestron.com/warranty for full details.

The specific patents that cover Crestron products are listed online at patents.crestron.com.

Certain Crestron products contain open source software. For specific information, please visit www.crestron.com/opensource.

Crestron, the Crestron logo, Crestron Fusion, and XiO Cloud are either trademarks or registered trademarks of Crestron Electronics, Inc. in the United States and/or other countries. Aver is either a trademark or a registered trademark of Aver Information Inc. in the United States and/or other countries. TrueVoice is either a trademark or registered trademark of Google Inc. in the United States and/or other countries. HDMI is either a trademark or registered trademark of HDMI Licensing LLC in the United States and/or other countries. Intel Core is either a trademark or registered trademark of Intel Corporation in the United States or other countries. Active Directory, Microsoft, Microsoft Teams, Skype, and Windows are either trademarks or registered trademarks of Microsoft Corporation in the United States and/or other countries. USB Type-C is either a trademark or registered trademark of USB Implementers Forum, Inc. in the United States and/or other countries. VESA is either a trademark or registered trademark of Video Electronics Standards Association in the United States and/or other countries. Other trademarks, registered trademarks, and trade names may be used in this document to refer to either the entities claiming the marks and names or their products. Crestron disclaims any proprietary interest in the marks and names of others. Crestron is not responsible for errors in typography or photography.

Specifications are subject to change without notice.

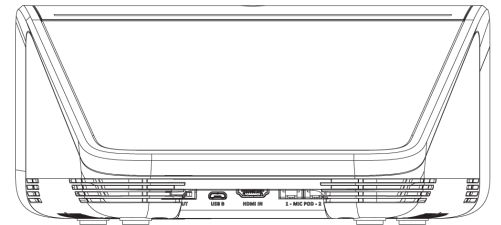
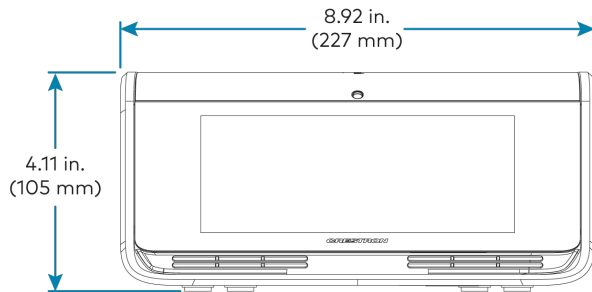
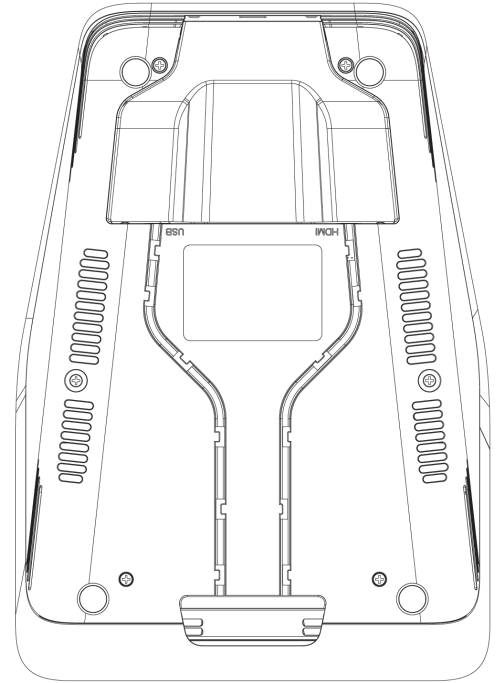
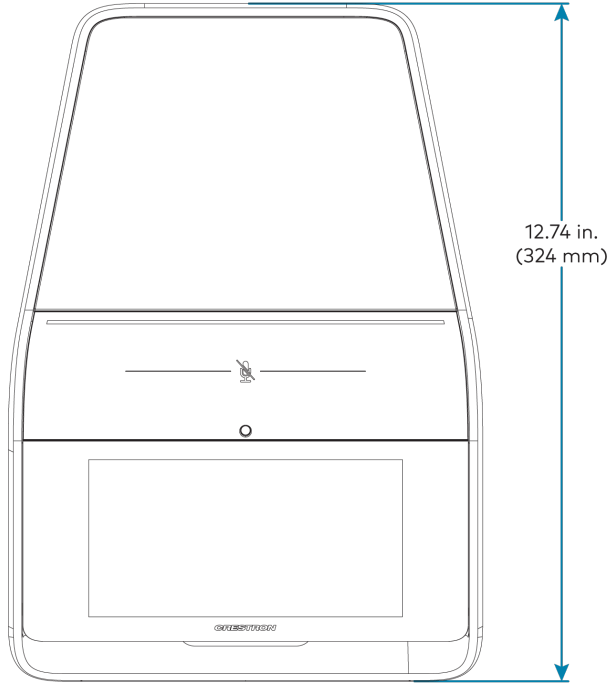
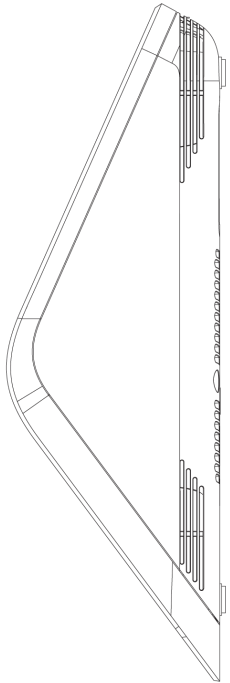
©2020 Crestron Electronics, Inc.

Rev 09/14/20

UC-MX70-T

Crestron Flex Advanced Tabletop Large Room Video Conference System for Microsoft Teams® Rooms

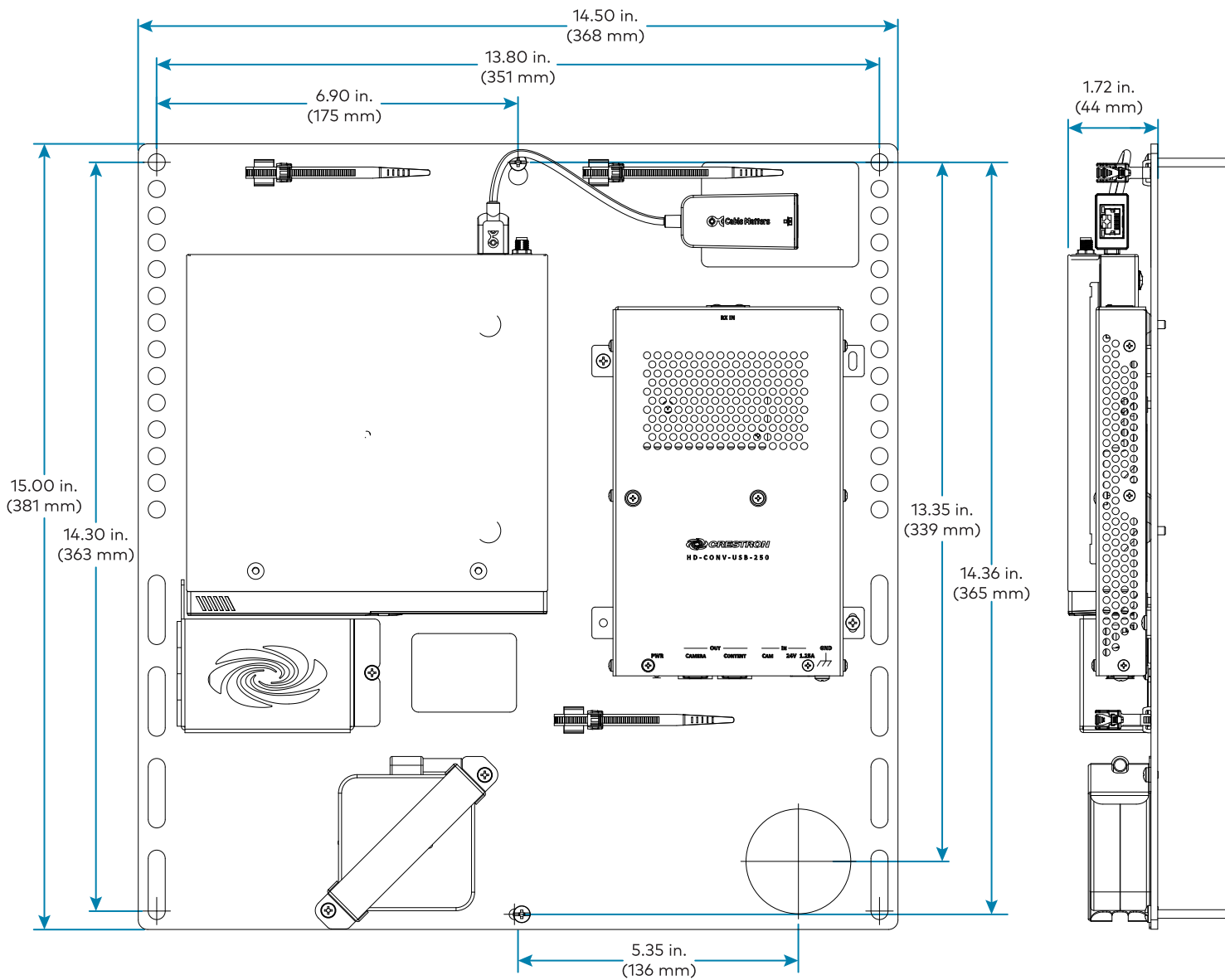
CCS-UC-1-X



UC-MX70-T

Crestron Flex Advanced Tabletop Large Room Video Conference System for Microsoft Teams® Rooms

UC-BRKT-250-P-T-ASSY



UC-MX70-T

Crestron Flex Advanced Tabletop Large Room Video Conference System for Microsoft Teams® Rooms

CCS-UCA-MIC

