

# UC-AUDIO-1-B KIT

## Crestron Flex Pod Wireless Audio Kit with Hub and Pod, Black



- A wireless audio conference solution including a Crestron Flex Pod and Hub
- Wireless connectivity enables placement of the pod anywhere on a conference table
- Convenient in-call volume and mic mute controls
- Speaker volume indicator and LED indicator ring display the operational status
- Optional tabletop mounting accessory and Kensington® lock support
- Built-in AEC and noise reduction affords exceptional full-duplex audio performance with highly intelligible, echo-free two-way voice quality
- Up to four pods connect wirelessly to the hub which sends and receives audio to a UC Engine through a USB-C® connection
- DECT™ technology ensures minimal interference and robust security

The Crestron Flex UC-AUDIO-1-B KIT is a wireless conferencing system that provides a small to large room audio conference solution. The kit includes a Crestron Flex [UC-AUDIO-POD](#) and [UC-AUDIO-HUB](#). The system can be expanded to support up to four pods, delivering a high-quality audio experience when connected to the hub through the Digital Enhanced Cordless Telecommunications (DECT™) technology.

### High-Quality Audio

The pod delivers intelligible and high-quality audio across every corner of a room. It contains four auto-mixed directional mics that provide 360-degree pickup, high-quality echo cancellation, automatic gain compensation, and noise reduction.

### Wireless Connectivity

The hub wirelessly connects with and distributes audio to up to four paired pods, enabling the pods to be placed anywhere within a room. This allows the hub and the pods to be deployed in large conference rooms and multi-purpose meeting spaces. Audio level consistency is realized as volume levels are synchronized across all the pods.

### Outstanding Adaptability

The pod is scalable across a variety of room types, including unconventionally shaped ones and those with challenging designs. In an open architecture design or where walls and ceilings cannot be opened to wires, the pod provides an audio solution ensuring that neither room aesthetics nor optimal audio are compromised. The pod, when connected with the hub, can easily be moved if furniture changes, and additional pods can be added if the room expands. Pods can be deployed in spaces with video conferencing hosted by personal devices to enable productive hybrid meetings with high-quality audio.

### Robust Security

The pod delivers audio over long distances, making it optimal for larger spaces. The DECT technology ensures that only paired pods transmit audio from the intended hub. The pod provides safe and secure audio transmission leveraging DECT technology. DECT uses multiple levels of security and does not interfere with other wireless technologies, such as Wi-Fi® and Bluetooth®.

### Easy Device Management

The configuration and connection status of the system can be monitored through a simple web user interface with no prior setup. Deploying the pods and the hub across multiple room types, firmware updates, monitoring, and management can be controlled using the XiO Cloud® service.

## Specifications

### UC-AUDIO-POD

Driver	One full range 2 in. speaker
Frequency Response	100 Hz to 7 kHz
Effective Output Level	74 dB SPL at 1 m
Microphones	360° quad mic array Pickup Range: 7.5 ft (approx. 2.3 m)
Audio (DSP)	Acoustic echo cancellation, automatic gain control, dynamic noise suppression, and speaker volume control  Full-duplex IEEE 1329 Type 1 compliant

# UC-AUDIO-1-B KIT

## Crestron Flex Pod Wireless Audio Kit with Hub and Pod, Black

<b>Wireless Communication</b>	Frequency bands: <b>DR1:</b> 1920 – 1930 MHz 5 channels (For US and Canada only) <b>DR2:</b> 1880 – 1900 MHz 10 channels (For Europe, Australia, New Zealand, Israel, Saudi Arabia, Kuwait, Qatar, United Arab Emirates, Yemen, Oman, Hong Kong, Singapore and Iraq) Range up to 50 ft (approx. 15 m) indoors	<b>Indicators</b>	Power: Green LED indicates the power is on Sync: Five SYNC LEDs indicate pairing and connection with each pod <sup>1</sup>
<b>Indicators</b>	Green LED indicates microphone is unmuted Red LED indicates microphone is muted White LED indicates the speaker volume level	<b>Buttons</b>	Pair: Tactile push button Reset: Recessed push button
<b>Buttons</b>	Speaker volume up/down: Capacitive, backlit Mic mute: Capacitive, backlit Pair: Push button Reset: Recessed push button	<b>USB-C</b>	USB-C (PC) Connection for Audio and HID data
<b>USB-C</b>	5VDC, 3A via external 100-240VAC power pack (included with the pod)	<b>24VDC, 0.75A</b>	24VDC, 0.74A via external 100-240VAC power pack (included with the hub)
<b>Security Port</b>	Kensington Security Slot™ port	<b>RJ-45</b>	1000 Mbps Ethernet
<b>Environmental</b>	Temperature: 41° to 104° F (5° to 40° C) Humidity: 10% to 95% RH (non-condensing) Heat dissipation: 12 BTU/hr	<b>Environmental</b>	Temperature: 41° to 104° F (5° to 40° C) Humidity: 10% to 95% RH (non-condensing) Heat dissipation: 12.3 BTU/hr
<b>Enclosure</b>	Lightly textured black/white finish, plastic housing, perforated stainless steel grilles, and die-cast aluminum bottom cover	<b>Enclosure</b>	Lightly textured black finish, plastic housing
<b>Mounting</b>	Tabletop mounting only	<b>Mounting</b>	Freestanding, stackable, surface mount and wall/ceiling mount option with bracket (black plastic)
<b>Dimensions</b>	Height: 3.0 in. (76 mm) Width: 4.40 in. (112 mm) Depth: 4.40 in. (112 mm)	<b>Dimensions</b>	Height: 1.35 in. (34 mm), 1.77 in. (45 mm) with bracket Width: 5.04 in. (128 mm), 5.36 in. (137 mm) with bracket Depth: 5.04 in. (128 mm)
<b>Weight</b>	1.6 lb (726 g)	<b>Weight</b>	8.9 oz (253 g) without bracket

### UC-AUDIO-HUB

<b>Wireless Communication</b>	Frequency bands: <b>DR1:</b> 1920 – 1930 MHz 5 channels (For US and Canada only) <b>DR2:</b> 1880 – 1900 MHz 10 channels (For Europe, Australia, New Zealand, Israel, Saudi Arabia, Kuwait, Qatar, United Arab Emirates, Yemen, Oman, Hong Kong, Singapore and Iraq) Range up to 50 ft (approx. 15 m) indoors
-------------------------------	--

### Models

#### UC-AUDIO-1-B-DR1 KIT

Crestron Flex Pod Wireless Audio Kit with Hub and Pod, Black

#### UC-AUDIO-1-B-DR2 KIT

Crestron Flex Pod Wireless Audio Kit with Hub and Pod, Black

### Available Accessories

For supported accessories, visit the appropriate UC-AUDIO-1-B KIT product page at [www.crestron.com](http://www.crestron.com).

#### Note:

1. Four pods are supported for initial product launch.

# UC-AUDIO-1-B KIT

## Crestron Flex Pod Wireless Audio Kit with Hub and Pod, Black

This product may be purchased from select authorized Crestron dealers and distributors. To find a dealer or distributor, please contact the Crestron sales representative for your area. A list of sales representatives is available online at [www.crestron.com/How-To-Buy/Find-a-Representative](http://www.crestron.com/How-To-Buy/Find-a-Representative) or contact us for additional information by visiting [www.crestron.com/contact/our-locations](http://www.crestron.com/contact/our-locations) for your local contact.

The original language version of this document is U.S. English. All other languages are a translation of the original document.

The product warranty can be found at [www.crestron.com/warranty](http://www.crestron.com/warranty).

The specific patents that cover Crestron products are listed online at [www.crestron.com/legal/patents](http://www.crestron.com/legal/patents).

Certain Crestron products contain open source software. For specific information, please visit [www.crestron.com/opensource](http://www.crestron.com/opensource).

Crestron, the Crestron logo, and XiO Cloud are either trademarks or registered trademarks of Crestron Electronics, Inc. in the United States and/or other countries. Kensington and Kensington Security Slot are either trademarks or registered trademarks of ACCO Brands Corporation and its subsidiaries in the United States and/or other countries. Bluetooth is either a trademark or registered trademark of Bluetooth SIG, Inc. in the United States and/or other countries. DECT is either a trademark or registered trademark of the European Telecommunications Standards Institute in the United States and/or other countries. USB-C is either a trademark or registered trademark of USB Implementers Forum, Inc. in the United States and/or other countries. Wi-Fi is either a trademark or registered trademark of Wi-Fi Alliance in the United States and/or other countries. Other trademarks, registered trademarks, and trade names may be used in this document to refer to either the entities claiming the marks and names or their products. Crestron disclaims any proprietary interest in the marks and names of others. Crestron is not responsible for errors in typography or photography.

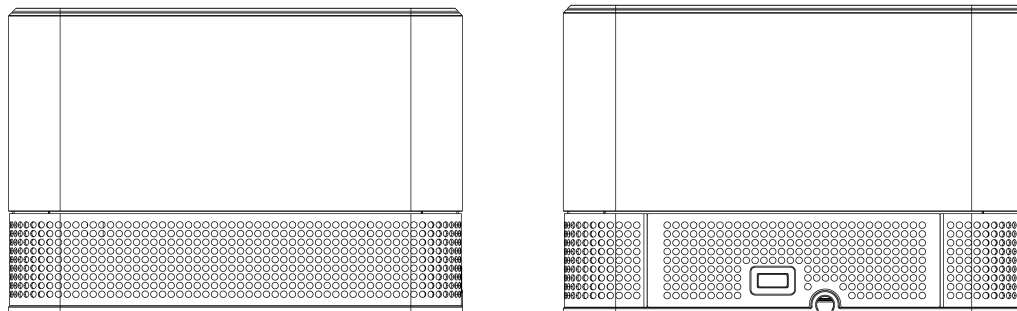
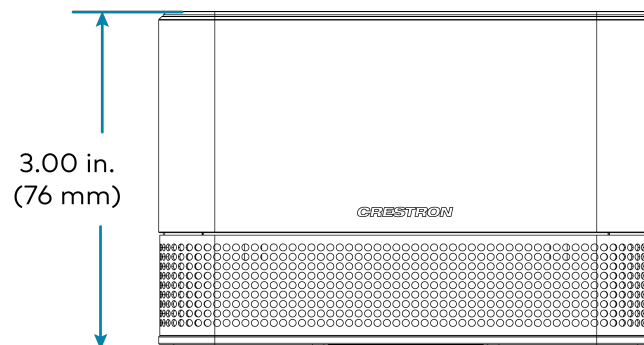
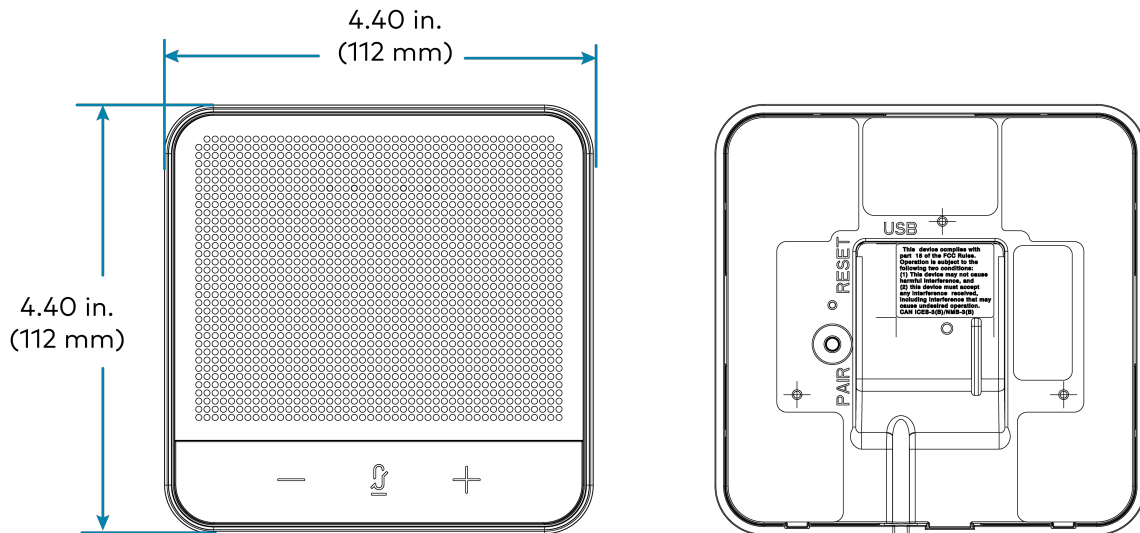
Specifications are subject to change without notice.

©2023 Crestron Electronics, Inc.

Rev 11/16/23

# UC-AUDIO-1-B KIT

## Crestron Flex Pod Wireless Audio Kit with Hub and Pod, Black



# UC-AUDIO-1-B KIT

## Crestron Flex Pod Wireless Audio Kit with Hub and Pod, Black

